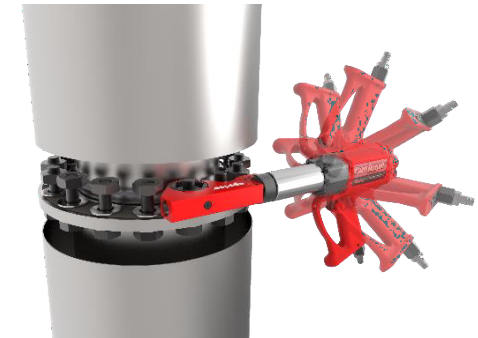


SpinTORQ 360 Continuous Rotation Pneumatic Torque Wrench

Up to 80% faster than equivalent low-profile hydraulic torque wrenches

Features and Benefits

- Low-profile head continuously rotates 360 degrees in forward and reverse, drastically reducing time spent torquing fasteners, while allowing the wrench to operate in very limited access bolting applications
- Dual-motor technology allows automatic two-speed operation for fast rundown speeds and precise final torque speeds
- Accuracy of applied torque is +/- 5%
- Wrench head can be indexed independently from the tool's gearbox, allowing the handle to be ergonomically positioned during operation
- Fit and reaction points are designed to standard ANSI and API piping flange dimensions, so the tool rests against adjacent nuts during use
- Robust design combines a well proven and highly efficient epicyclical gearbox with a double enveloping worm gear drive to provide reliable and repeatable performance
- Durable powder coating is ideal for demanding work environments



360° Continuous Head Rotation

Applications

Flange bolting; heavy duty bolting; heavy equipment maintenance

SpinTORQ 360 Continuous Rotation Pneumatic Torque Wrench

Specifications

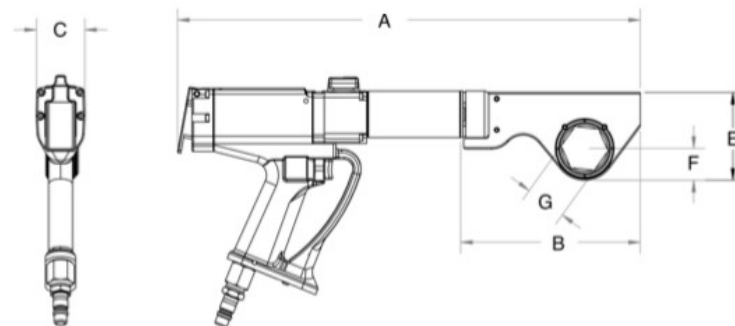
Part Number Complete Wrench	Part Number Pneumatic Motor Only	Part Number Wrench Head Only	Hex Size Inches (metric)	Torque Range ft-lb (Nm)	A inches (mm)	B inches (mm)	C inches (mm)	D inches (mm)	E inches (mm)	F inches (mm)	G inches (mm)	Weight Hex Head Only lb (kg)	Total Weight lb (kg)
PST686H113	PSTM77517	PSTH113	1-13/16 (46)	140 - 686 (190 - 930)	20.63 (524)	8.00 (203)	2.16 (55)	1.31 (33)	3.86 (98)	1.40 (36)	1.83 (46)	6.5 (2.9)	16.5 (7.5)
PST953H200		PSTH200	2 (50.00)	190 - 953 (258 - 1292)	21.68 (551)	9.06 (230)	2.16 (55)	1.65 (42)	4.89 (124)	1.85 (47)	2.03 (52)	10.00 (4.5)	20.0 (9.1)
PST1281H203		PSTH203	2-3/16 (55)	256 - 1281 (348 - 1737)	21.68 (551)	9.06 (230)	2.16 (55)	1.65 (42)	4.89 (124)	1.85 (47)	2.20 (56)	10.0 (4.5)	20.0 (9.1)
PST1677H206	PSTM77514	PSTH206	2-3/8 (60)	335 - 1677 (454 - 2274)	22.33 (567)	9.72 (247)	2.16 (55)	1.83 (46)	5.63 (143)	2.00 (51)	2.41 (61)	15.1 (6.8)	25.1 (11.4)
PST2146H209		PSTH209	2-9/16 (65)	430 - 2146 (583 - 2910)	23.11 (587)	10.50 (267)	2.16 (55)	2.00 (51)	6.12 (155)	2.24 (57)	2.59 (66)	18.7 (8.5)	28.7 (13.0)
PST2696H212		PSTH212	2-3/4 (70)	540 - 2696 (732 - 3655)	23.11 (587)	10.50 (267)	2.16 (55)	2.00 (51)	6.12 (155)	2.24 (57)	2.78 (71)	18.7 (8.5)	28.7 (13.0)
PST3332H215	PSTM77519	PSTH215	2-15/16 (75)	666 - 3332 (903 - 4518)	23.28 (591)	10.30 (262)	2.16 (55)	2.25 (57)	6.52 (166)	2.29 (58)	2.94 (75)	21.3 (9.7)	31.3 (14.2)
PST4061H302		PSTH302	3-1/8 (80)	812 - 4061 (1101 - 5506)	24.02 (610)	11.08 (281)	2.16 (55)	2.40 (61)	7.25 (184)	2.75 (70)	3.13 (80)	28 (12.7)	38 (17.2)

Torque parameters comply with API 6A and ASME PCC1-2019



Related Item

PTMFRL Filter/Regulator/Lubricator (Required for Operation)



SpinTORQ 360 Continuous Rotation Hydraulic Torque Wrench

Up to 80% faster than ratcheting hydraulic torque wrenches

Features and Benefits

- Low-profile head continuously rotates 360 degrees in forward and reverse, drastically reducing time spent tightening fasteners, while allowing the wrench to operate in very limited access bolting applications
- 2,500 psi. maximum pressure allows operation with ROV hydraulic supply
- Accuracy of applied torque is +/- 5%
- Fit and reaction points are designed to standard ANSI and API piping flange dimensions, so the tool rests against adjacent nuts during use
- Robust design combines a well proven double enveloping worm gear drive to provide reliable and repeatable performance
- Durable powder coating is ideal for demanding work environments

Applications

- Subsea bolting
- Nuclear flange maintenance
- Topside BOP bolting
- Plate, shell & tube heat exchangers
- Critical path bolted connections



MODEL HST2696H212

Specifications

Part Number Complete Wrench	Torque Range ft-lb (Nm)	A inches (mm)	B inches (mm)	C inches (mm)	D inches (mm)	E inches (mm)	F inches (mm)	G inches (mm)	Weight Hex Head Only (kg)	Total Weight (kg)
HST686H113	140 - 686 (190 - 930)	15.35 (390)	8.00 (203)	3.28 (83)	1.31 (33)	3.86 (98)	1.40 (36)	1.83 (46)	6.5 (2.9)	16.5 (7.5)
HST953H200	190 - 953 (258 - 1292)	16.41 (417)	9.06 (230)	3.28 (83)	1.65 (42)	4.89 (124)	1.85 (47)	2.03 (52)	10.0 (4.5)	20.0 (9.1)
HST1281H203	256 - 1281 (347 - 1737)	16.41 (417)	9.06 (230)	3.28 (83)	1.65 (42)	4.89 (124)	1.85 (47)	2.20 (56)	10.0 (4.5)	20.0 (9.1)
HST1677H206	335 - 1677 (454 - 2274)	17.07 (434)	9.72 (247)	3.28 (83)	1.83 (46)	5.63 (143)	2.00 (51)	2.41 (61)	15.1 (6.8)	25.1 (11.4)
HST2146H209	430 - 2146 (583 - 2910)	18.60 (472)	10.50 (267)	3.28 (83)	2.00 (51)	6.12 (155)	2.24 (57)	2.59 (66)	18.7 (8.5)	28.7 (13.0)
HST2696H212	540 - 2696 (732 - 3655)	18.60 (472)	10.50 (267)	3.28 (83)	2.00 (51)	6.12 (155)	2.24 (57)	2.78 (71)	18.7 (8.5)	28.7 (13.0)
HST3332H215	666 - 3332 (903 - 4518)	18.40 (467)	10.30 (262)	3.28 (83)	2.25 (57)	6.52 (166)	2.29 (58)	2.94 (75)	21.3 (9.7)	31.3 (14.2)
HST4061H302	812 - 4061 (1101 - 5506)	19.18 (487)	11.08 (281)	3.28 (83)	2.40 (61)	7.25 (184)	2.75 (70)	3.13 (80)	28 (12.7)	38 (17.2)
HST5822H308	1164 - 5822 (1578 - 7894)	21.85 (555)	12.50 (318)	3.28 (83)	2.50 (64)	7.98 (203)	3.00 (76)	3.50 (89)	31.7 (14.4)	41.7 (18.9)
HST8030H314	1606 - 8030 (2177 - 10887)	21.85 (555)	12.50 (318)	3.28 (83)	2.50 (64)	7.98 (203)	3.00 (76)	3.92 (100)	31.7 (14.4)	41.7 (18.9)

Torque parameters comply with API 6A and ASME PCC1-2019

Related Item

603A Hydraulic Power Unit

