

AutoGRIPPER

STUD EXTRACTOR

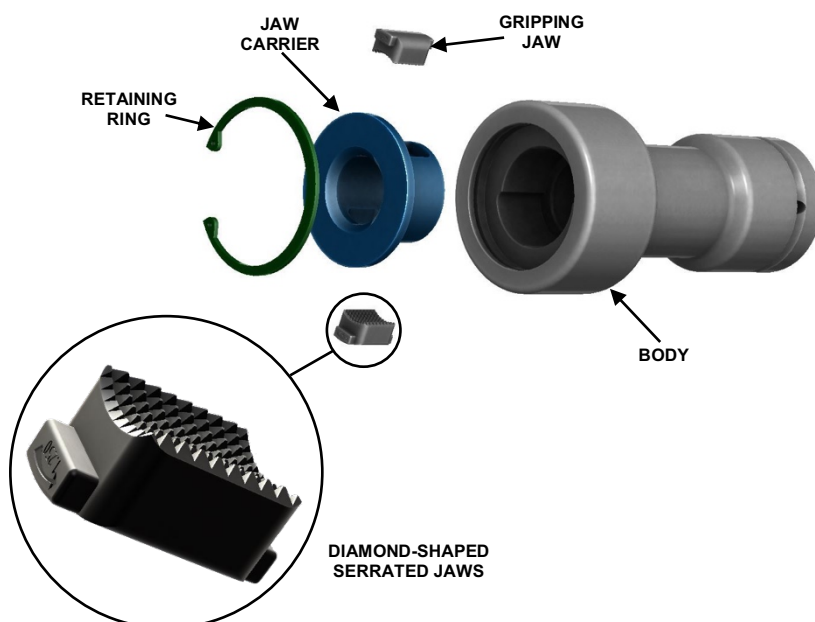
- Removes bolts in seconds
- Standard sizes from 7/8" to 5"
- Operates with air impact wrench
- Increases safety and productivity



The AutoGRIPPER stud extractor saves time and expense associated with the removal of stud bolts from threaded holes. The extractor is attached to an air impact wrench, installed over the exposed stud, and removes the stud from the hole in seconds. With the AutoGRIPPER, it is possible to immediately identify if a stud can be removed by rotation.

In some applications, the stud may be galled (friction welded) to the threads in the hole. MDM (Metal Disintegration Machine) or drilling and re-tapping of the hole may be required in these extreme cases. In a few situations the galling occurs when the nut on the opposite end of the stud seizes and rotates the stud in the hole with extreme force. In many cases, the galling is caused by attempts to remove studs with methods that induce tremendous side loading of the stud.

There is no side loading of the stud with the AutoGRIPPER. It is a time-tested product with proven success in stud bolt removal. Once energized, the cam loaded jaws embed in threads of the stud and the momentum of the torsional force rotates the stud unthreading it from the hole. The jaws are easily replaceable by removing the retaining ring and sliding out the jaw carrier.



STUD EXTRACTOR AND CORRESPONDING AIR IMPACT TOOL PART NUMBERS

The following table lists the part numbers for each size AutoGRIPPER and the corresponding recommended air impact tool. Similar air impact tools may be used if the torque output is close to the value in the table. Use of electric impact wrenches, adapters or reducers, and swivel or universal joints is not recommended.

BOLT DIAMETER (INCHES)	EXTRACTOR PART NUMBER	EXTRACTOR DRIVE SIZE (INCHES)	STUD EXTRACTOR WEIGHT (LB)	RECOMMENDED AIR IMPACT TOOL PART NUMBER	AIR IMPACT WORKING TORQUE (FT-LB)	AIR IMPACT WRENCH WEIGHT (LB)
7/8	SR014	1-1/2	5	AIW3300	3,300	33
1	SR100	1-1/2	5	AIW3300	3,300	33
1-1/8	SR102	1-1/2	5	AIW3300	3,300	33
1-1/4	SR104	1-1/2	5	AIW3300	3,300	33
1-3/8	SR106	1-1/2	10	AIW3300	3,300	33
1-1/2	SR108	1-1/2	10	AIW3300	3,300	33
1-5/8	SR110	1-1/2	10	AIW5900	5,900	88
1-3/4	SR112	1-1/2	10	AIW5900	5,900	88
1-7/8	SR114	1-1/2	10	AIW5900	5,900	88
2	SR200	1-1/2	20	AIW5900	5,900	88
2-1/4	SR204	2-1/2	20	AIW25000	25,000	215
2-1/2	SR208	2-1/2	20	AIW25000	25,000	215
2-3/4	SR212	2-1/2	20	AIW25000	25,000	215
3	SR300	2-1/2	50	AIW25000	25,000	215
3-1/4	SR304	3-1/2	50	AIW42000	42,000	599
3-1/2	SR308	3-1/2	50	AIW42000	42,000	599
3-3/4	SR312	3-1/2	50	AIW42000	42,000	599
4	SR400	3-1/2	70	AIW42000	42,000	599
4-1/4	SR404	3-1/2	70	AIW42000	42,000	599
4-1/2	SR408	3-1/2	80	AIW42000	42,000	599
4-3/4	SR412	3-1/2	90	AIW42000	42,000	599
5	SR500	3-1/2	100	AIW42000	42,000	599

The following page provides more detailed information on the air impact wrenches offered by FASTORQ for use with the AutoGRIPPER stud extractors.

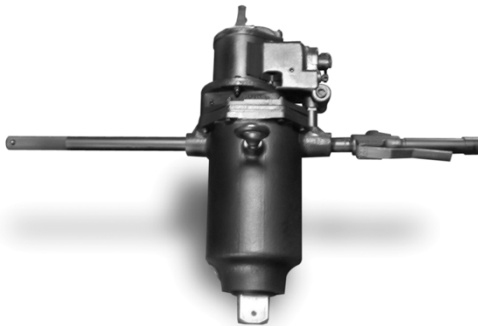
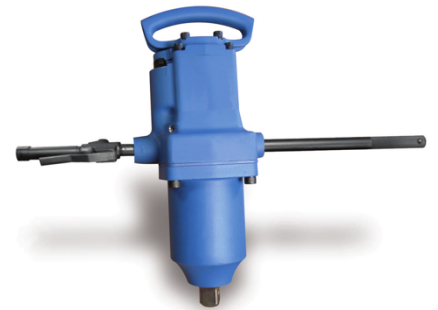


AIR DRIVEN IMPACT WRENCHES



AIW3300 1-1/2" drive air impact wrench is a single person operated tool delivering 3,300 ft-lb. working torque and a maximum torque of 4,000 ft-lb. Twin hammer mechanisms and a 7 vane motor deliver high output. Bronze end plates increase motor durability. Includes an integral muffler for noise reduction, built-in lubricator, and a 3-piece housing for easy repair.

AIW5900 1-1/2" drive air impact wrench is a two person operated tool delivering 5,900 ft-lb. working torque and a maximum torque of 13,560 ft-lb. It has a precision ball and cam mechanism for extended durability and tool life. Includes vertical and horizontal hangers, an assist handle, and built-in lubricator.



AIW25000 2-1/2" drive air impact wrench is a crane operated tool delivering 25,000 ft-lb. working torque and a maximum torque of 50,000 ft-lb. It has a precision ball and cam mechanism for extended durability and tool life. Includes vertical and horizontal hangers, and built-in lubricator.

AIW42000 3-1/2" drive air impact wrench is a crane operated tool delivering 42,000 ft-lb. working torque and a maximum torque of 80,000 ft-lb. It has a precision ball and cam mechanism for extended durability and tool life. Includes vertical and horizontal hangers, and built-in lubricator.

